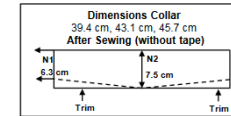
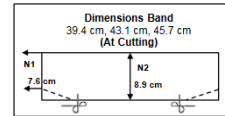
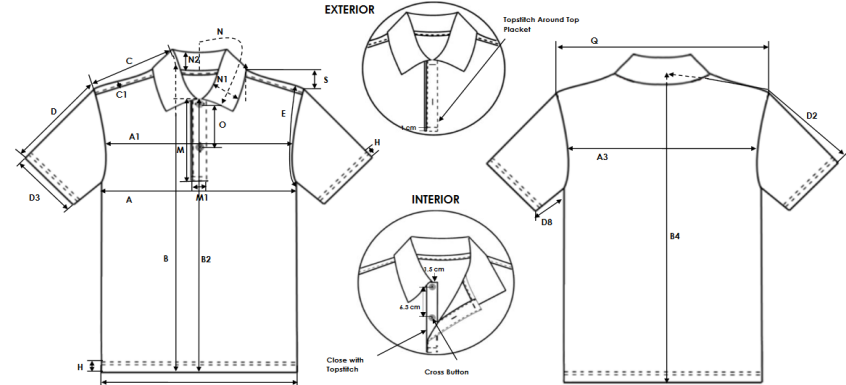




Garment Specifications - Style 64800 Adult Double Piqué Sport Shirt 100% Ring Spun Cotton

MEASUREMENTS / MEDIDAS

Dimensions - Size / Dimensiones - Talla	S	M	L	XL	2XL	3XL	4XL	Tol
A- Chest / Pecho	50	53.5	56	59	62	66	69.5	± 2
A1-Front shoulder breath / Amplitud de Hombros Frente	38	40	42	44.5	47	50.5	54	± 2
A2- Bottom width / Ancho Inferior	50	53.5	56	59	62	66	69.5	± 2
A3-Back shoulder breath / Amplitud de Hombros Espalda	38	40	42	44.5	47	50.5	54	± 2
B- Length from HPS / Largo desde el Punto mas Alto del Hombro	70	73.5	76	78.5	81	83.5	86.5	± 2.5
B2-Front body length / Largo de Cuerpo Frente	61	64.5	67.5	70	72.5	75	77.5	± 2.5
B4-Back body length / Largo de Cuerpo Espalda	67	71.5	73.5	76	78	80.5	83	± 2.5
C- Shoulder / Hombro	14	15	16	17	18.5	20.5	22	± 0.5
C1-Forward shoulder / Hombro hacia el Frente	1	1	1	1	1	1	1	± 0.3
D- Sleeve length (Center cap) / Largo de Manga	23	24	25.5	26.5	28	29	30.5	± 1.5
D2- Sleeve length (Center back) / Largo de Manga desde el Centro de la Espalda	44.5	47	49	52	54.5	57.5	61	± 2
D3- Sleeve opening relaxed / Abertura de Manga Relajada	17	18.5	20.5	21	21.5	22	22.5	± 1.5
D8- Undersleeve length / Largo de Manga Inferior	9	10	11.5	12.5	14	15	16.5	± 1.5
E- Armhole / Bocamanga	26	27	28.5	30.5	31.5	33	34	± 2
F2- Neckline circumference / Circunferencia de Cuello	21.5	21.5	24	24	24.5	24.5	24.5	± 2
H- Hem height / Altura de Ruedo	1.5	1.5	1.5	1.5	1.5	1.5	1.5	± 0.3
M- Length of placket / Largo de Plaqueta	14	14	14	14	14	14	14	± 0.5
M1- Width of placket / Ancho de Plaqueta	3	3	3	3	3	3	3	± 0.3
N- Length of collar / Largo de Cuello	39.5	39.5	43	43	45.5	45.5	45.5	± 1.5
N1- Finished width of collar front / Ancho Final de Cuello Frente	6.5	6.5	6.5	6.5	6.5	6.5	6.5	± 0.5
N2- Finished width of collar back / Ancho Final del Cuello de Espalda	7.5	7.5	7.5	7.5	7.5	7.5	7.5	± 0.5
O- Buttonhole / Button distance from button to button / Ojal / Botón, Distancia de Botón a Botón	5.5	5.5	5.5	5.5	5.5	5.5	5.5	± 0.3
Q- Across shoulder / Ancho de Hombro a Hombro	43	45	47	51	53.5	57	61	± 2
S- Shoulder slope / Inclinación de Hombro	4.5	5	5	6	6	6	6	± 2



Packaging Information

Style	Size	Case type	Case Outside Dimension L x W x H (cm)	# Doz	Packaging 1st and 2nd Quality					
					Case net weight (lbs)	Gross weight White (lbs)	Gross weight Lights (lbs)	Gross weight Darks (lbs)	Cube	Case per Pallet
64800	S	36	20 x 15 3/4 x 7.1/2"	3	1.90	17.78	17.99	18.20	1.367	42
	M	36	20 x 15 3/4 x 7.1/2"		1.90	19.91	20.15	20.39	1.367	42
	L	1	21 1/2 x 16 1/4 x 8.75"		2.36	21.46	21.71	21.96	1.769	36
	XL	1	21 1/2 x 16 1/4 x 8.75"		2.36	23.49	23.78	24.06	1.769	36
	2XL	2	21 1/2 x 16 1/4 x 10 3/8"		2.42	24.53	24.82	25.12	2.098	30
	3XL	3	21 1/2 x 16 1/4 x 13 1/4"		2.70	27.07	27.37	27.68	2.679	24
	4XL	3	21 1/2 x 16 1/4 x 13 1/4"		2.70	29.05	29.41	29.77	2.679	24

Total Colours

15