

# KARIBAN

**REFERENCE :** K890

**SIZES :** U

**COMPOSITION :**

Main fabric : Polyester / Cotton twill gabardine 65/35 - 190  
65%polyester / 35%cotton

**WEIGHT :**

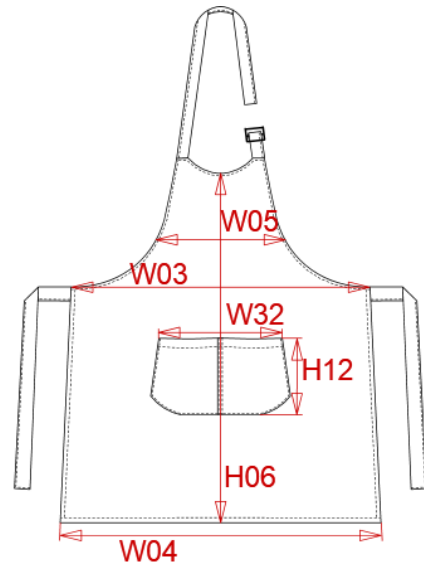
Main fabric : 190 gsm

**TECHNICAL DETAIL :**

Industrial laundry 85°C

**ARTICLE WEIGHT :**

186 gr/pc



DESCRIPTION	
<b>Français :</b>	Tablier polycoton
<b>English :</b>	Polyester Cotton apron
<b>Nederlands :</b>	Schort van polykatoen
<b>Deutsch :</b>	MISCHGEWEBE SCHÜRZE
<b>Español :</b>	Delantal poli-algodón
<b>Italiano :</b>	GREMBIULE IN POLIESTERE E COTONE
<b>Português :</b>	Avental poliéster/algodão

MEASUREMENT	
Description	U
<b>H06</b> Hauteur milieu devant / Middle front length	90
<b>W03</b> Largeur taille / Waist width	76
<b>W05</b> Largeur poitrine / Chest width	37
<b>W04</b> Largeur bas / Bottom width	81
<b>H12</b> Hauteur poche / Pocket height	20
<b>W32</b> Largeur haut de poche devant / Top pocket width	31,50

CARE LABEL	

PACKING	
Box	50 pcs / box U => L:51cm W:47cm H:17cm GW:11.50kg NW:10.00kg

COLORS	PANTONE SERIGRAPHIE
Black	Black
Wine	504C
Bottle green	567C
Beige	7530C
Burnt orange	7580C
White	White
Red	200C
Dark grey	447C
Chocolate	439C
Kelly green	7727C
Navy	296C
Lagoon	2915C
Green olive	417C
Yellow	109C
Royal blue	287C
Lime	367C
Light grey	416C
Dark pink	210C
Tropical blue	7468C
Purple	7447C
Denim	Denim
Fuchsia	7425C